

User instructions

Contents

Section	Subject	Page
1	Introduction	2
2	QUICK REFERENCE	2
3	Unpacking	4
4	Location and Assembly	5
5	Digital Control System	7
6	Temperature	9
7	Humidity and Ventilation	11
8	Fan Speed Control	11
9	Introducing Young Birds	12
10	Small Animal Care	12
11	Internal Lighting	13
12	Cleaning up	14
13	Servicing and Calibration	15
14	Specification	16



**Read instructions
before use.**



Danger. Not intended for use with oxygen gas. Use of oxygen creates a fire hazard.

Damaged appliances shall not be used.

The appliance and its supply cord must be placed in an indoor area not subject to splashes of water or wet conditions and protected from or out of reach of animals.

Repairs shall be carried out only by a suitably qualified person.

This appliance shall not be used, cleaned or maintained by children or persons with reduced physical, sensory or mental capabilities or lack of experience and knowledge without supervision. Children shall not play with the appliance.

Disconnect the brooder/ICU from the mains power supply during cleaning. Ensure that all electrical parts are kept dry. Avoid alcohol-based solutions and make sure that all disinfectant is thoroughly rinsed off plastic parts with clean water. Disinfectant solutions may cause severe cracking of plastic if not correctly rinsed off.

Record your appliance serial number here: _____

IMPORTANT NOTICE

Brinsea Products Ltd and its agents or distributors will not be responsible for loss of animals in the event of failure however caused and the user is advised to arrange his own insurance cover where loss of power or mechanical or electrical failure might result in unacceptable losses.

1 Introduction

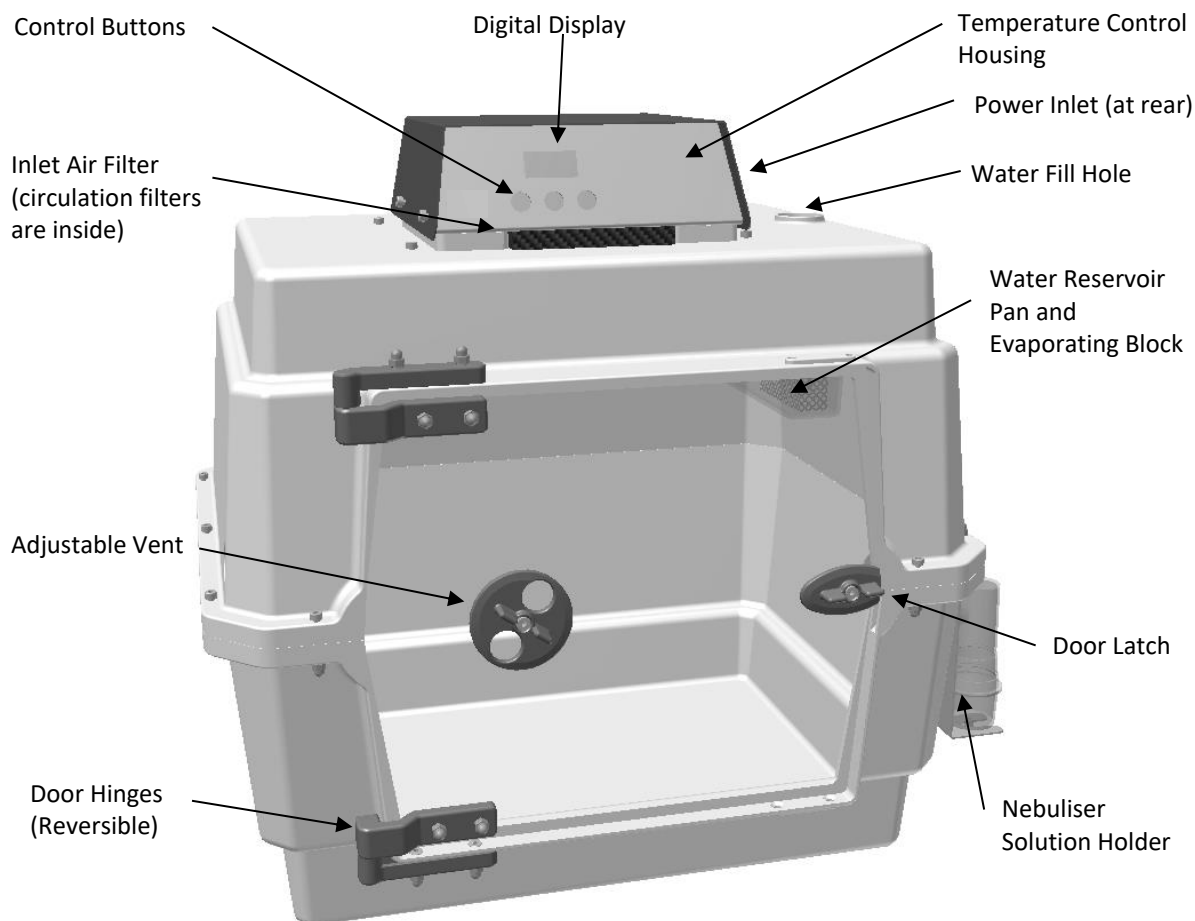
These instructions detail the operation of your new TLC-40 Advance Series II or TLC-50 Advance Series II digital brooder/ICU. Please read these instructions carefully before setting up your machine to achieve best results and keep these instructions safe for future reference. Your TLC Advance Series II brooder/ICU is designed to allow the user to vary the environmental conditions to suit a wide range of species and the specific set-up for every species is beyond the scope of these instructions. There are a range of books and veterinarian texts available covering animal and avian hand rearing and recovery techniques.



To register your new Brinsea product please visit www.brinsea.co.uk and follow the link on the right-hand side of the home page to qualify for your free 3 year guarantee.

Go to www.Brinsea.co.uk and sign up for our newsletter: receive the latest news and product information, special offers, exclusive competitions and much more.

Fig. 1 Functional features of the TLC-40 Advance Series II and TLC-50 Advance Series II (40 model shown)



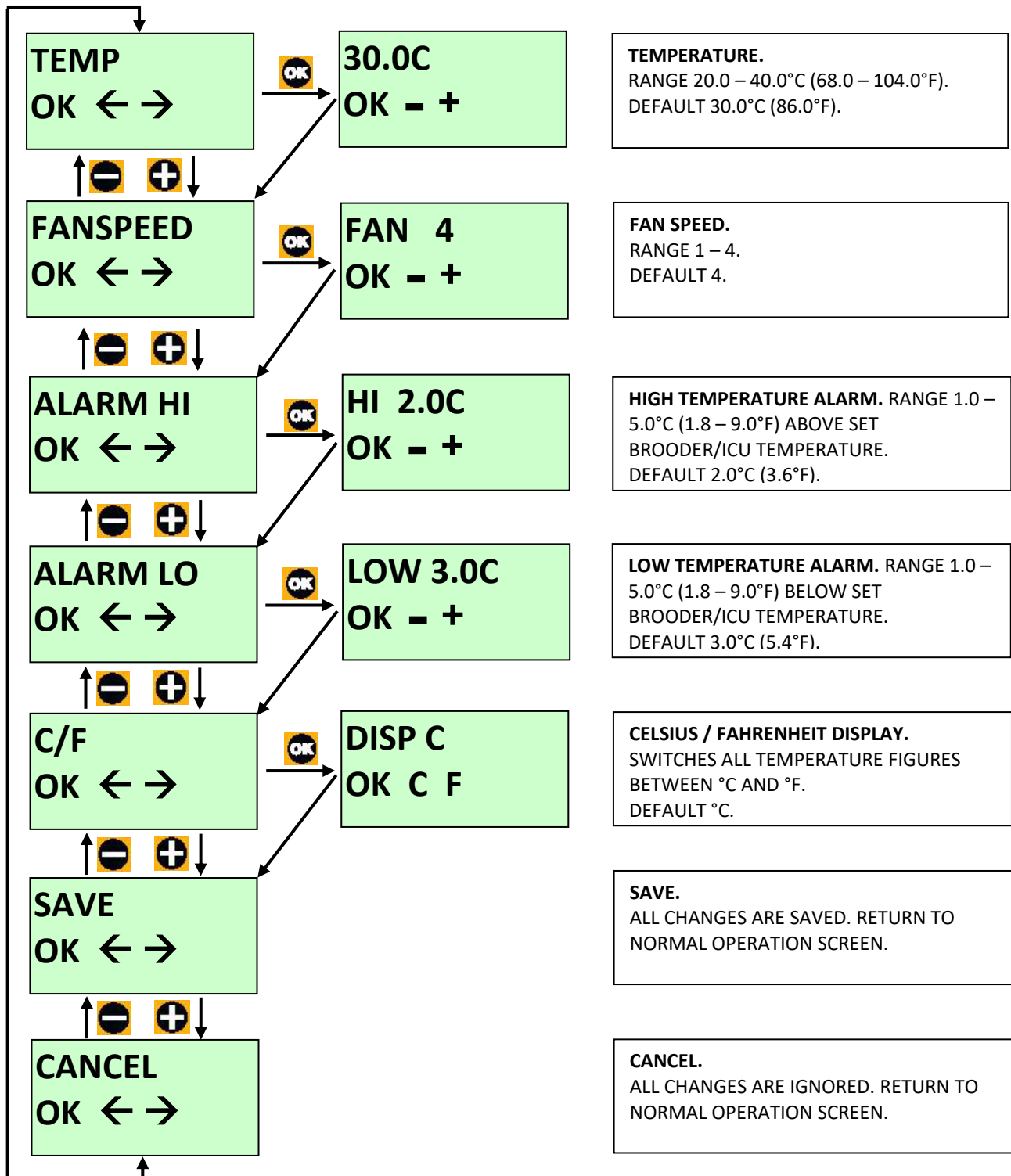
2 Quick Reference (please read relevant section for detail)

This quick reference is intended to allow users familiar with Brinsea TLC brooder/ICUs to quickly set up the brooder/ICU and learn the key features of the control system. Please read the rest of the instructions to obtain a full understanding of each feature. **DO NOT COVER THE BROODER/ICU. FOR INDOOR USE ONLY.**

- 1) Carefully unpack the brooder/ICU parts (section 3)
- 2) Assemble the cabinet (section 4)
- 3) Fit the power lead

MAIN MENU – QUICK REFERENCE

	PRESS BOTH BUTTONS TO UNLOCK THE MAIN MENU
	SELECT THE OPTION / RETURN TO THE MENU.
	GO FORWARD ONE SCREEN / INCREASE THE VALUE / DISPLAY IN CELSIUS.
	GO BACK ONE SCREEN / DECREASE THE VALUE / DISPLAY IN FAHRENHEIT.



3 Unpacking

Your brooder/ICU has been supplied in protective packaging. Please remove all tape, strapping and packing from the brooder/ICU and parts. Retain the carton and packing materials to enable the unit to be repacked.

Your brooder/ICU will include as standard:

Quantity	Item
1	Brooder/ICU top assembly (with 3 air filters fitted)
1	Cabinet base
1	Door
1	Hinge socket
1	Fastener and tool kit
1	Mains cable
1	Water pan
1	Evaporating block
1	Water funnel
1	Nebuliser solution holder
1	Nebuliser bracket

Fastener and Tool Kit Contents:

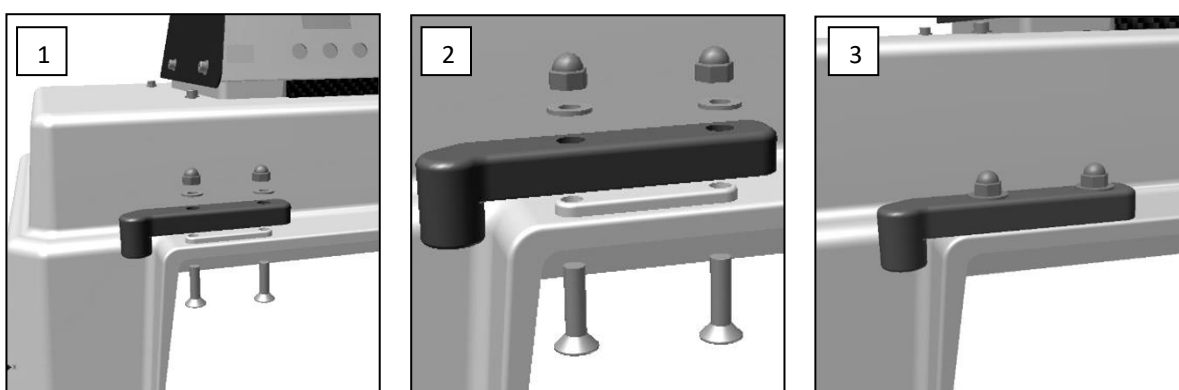
Quantity TLC-40	Quantity TLC-50	Item
2	2	 M5 x 16mm countersunk screws
2	2	 M5 flat washers
2	2	 M5 domed nuts
12	16	 M4 x 30mm cap-headed screws
12	16	 M4 star washers
12	16	 M4 nuts
1	1	 Door edge strip
1	1	 Nebuliser hole grommet
1	1	3mm hex key
1	1	4mm hex key
1	1	7mm / 8mm spanner

3.1 Please identify each part and check that they are all present and undamaged. If there are any parts damaged or missing please contact your retailer or Brinsea Products (at the address at the end of the document).

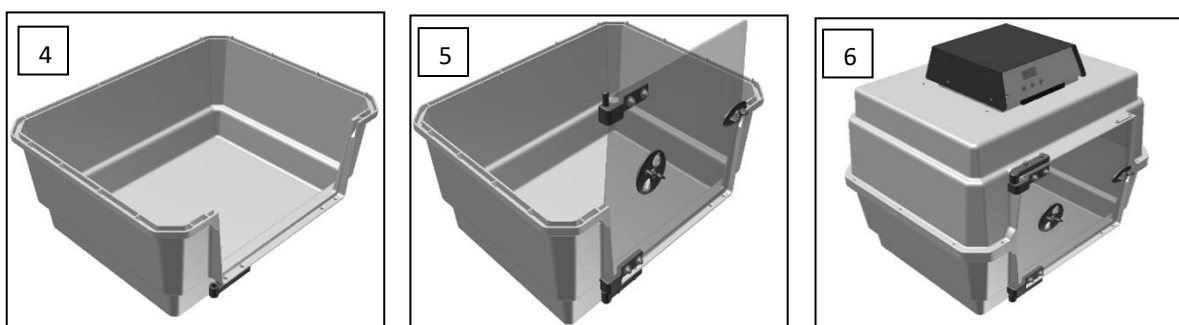
3.2 Check also that the electrical supply matches the machine's requirements (marked on the technical label next to the power inlet socket).

4 Location and Assembly

- 4.1 Your brooder/ICU will give best results in a room free from wide temperature variations and with generous ventilation – particularly if several incubators / brooders are running at the same time. Ensure that the room temperature cannot drop on a cold night. Ideally thermostatically control the room at between 20 and 25°C (68 and 77°F). Never allow the room temperature to drop below 15°C (59°F) and ensure that the brooder/ICU cannot be exposed to direct sunlight.
- 4.2 Assemble the cabinet using the tools and fasteners provided. Follow the diagrams. Do not over-tighten fasteners.
- 4.3 The door is hinged at the left as supplied but may be reversed to provide better access if required. Fit the top hinge socket to the cabinet using the M5 x 16mm countersunk screws, M5 flat washers and M5 dome nuts.



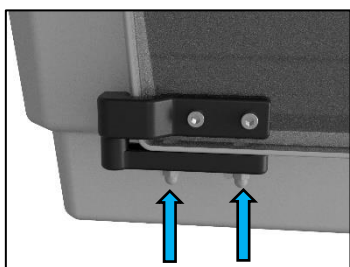
- 4.4 Place the door in the lower hinge and close the latch. Lower the top cabinet down onto the other parts.



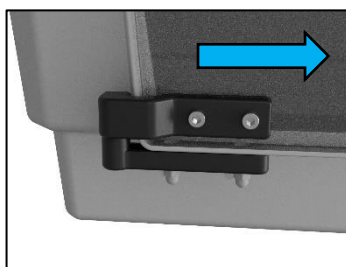
Fit the M4 x 30mm cap-headed screws, star washers and nuts into each set of holes around the edge of the cabinet. Tighten enough to prevent them spinning. This creates an air tight seal around the cabinet. If the nebuliser is required, fit the nebuliser bracket as shown (8a). If the nebuliser is not required fit the grommet first and secure it with the bracket (8b).



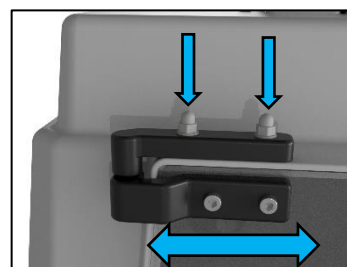
- 4.5 If caring for small animals with long claws such as hedgehogs, the door edge strip may be fitted as shown to ensure claws cannot pass through any door gap:



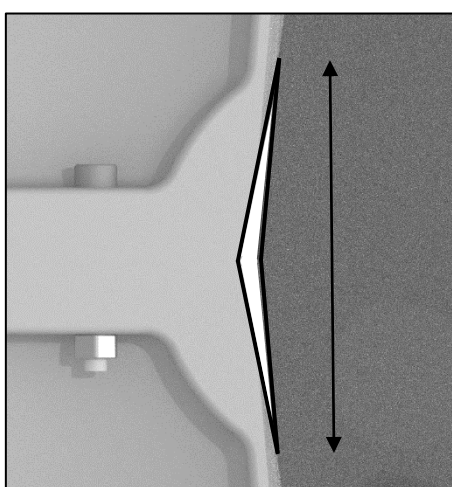
Loosen the bottom hinge/cabinet fixings by half a turn so that the hinge becomes free to move.



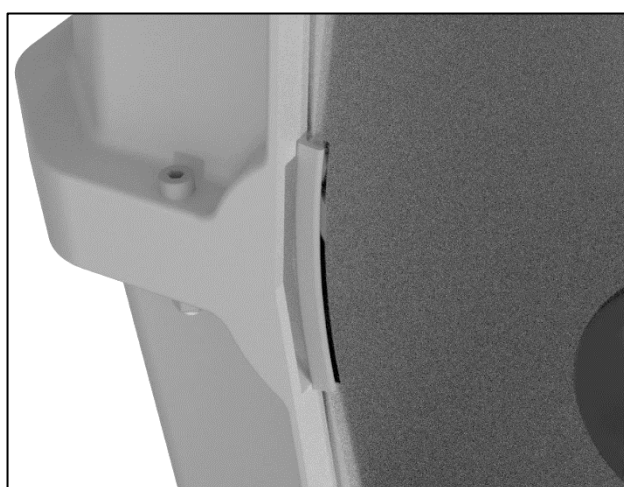
Slide the door as far as it will go in the direction of the door latch. Tighten the fixings while holding the door.



Loosen the top hinge/cabinet fixing. Move it so that the door becomes level in the frame and opens/closes freely. Tighten the fixings.



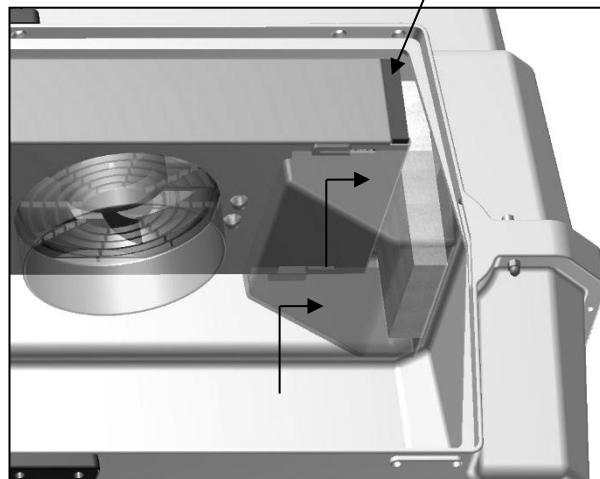
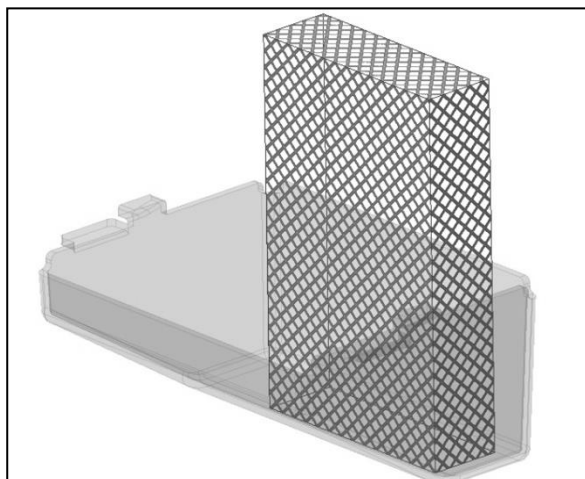
Observe the length of any 'V' shape gap that a claw could fit through. Cut the door edge strip to fill the length of the gap.



Open the door wide and press the door edge strip into place on the door. Close the door and check the strip does not force the door outward. Trim the length of the edge strip if necessary.

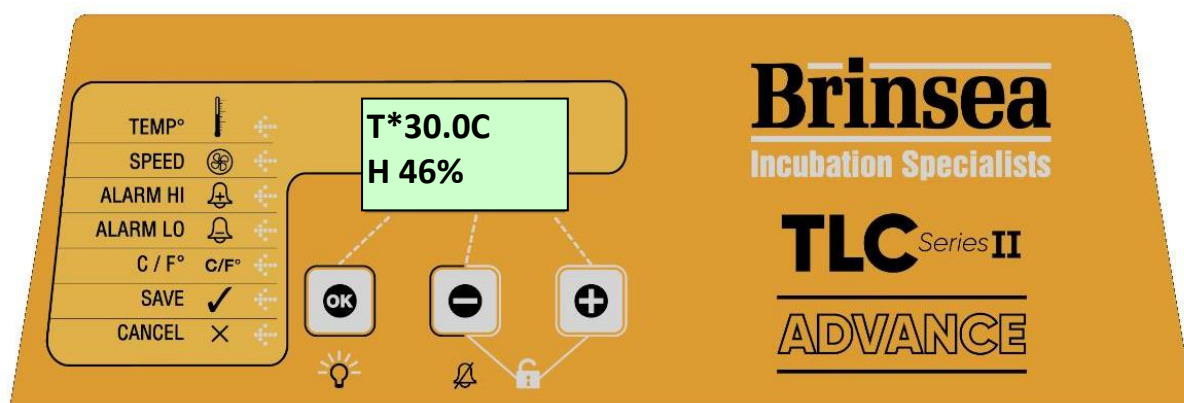
- 4.6 Place the white evaporating block in the clear water pan. Open the door and lift the pan into position, it pushes up and across into two slots on the heater enclosure. The pad may need to be softened with a little water to help it flatten while the pan is fitted. The pan is located in this manner to help prevent accidental removal by animals.

Air Filter



- 4.7 Your brooder/ICU is supplied with air filter media fitted at the air inlet (see fig 1) and at each end of the heater enclosure (see picture 9 above). For details of filter replacement see the Servicing section.
- 4.8 Fit the nebuliser solution holder by inserting the "mouthpiece" through the hole in the cabinet and locating the solution holder pipe in the slot in the bracket.
- 4.9 Place the brooder/ICU on a scratch and moisture resistant surface. Worktop height is ideal.
- 4.10 Connect the mains cable to the inlet. Ensure the connector is pushed fully home in its socket.
- 4.11 The fan will start and the display will show the current temperature and humidity in the cabinet plus a "P" symbol to show power was interrupted.
- 4.12 Allow the brooder/ICU to run for at least an hour to stabilise the temperature before introducing animals.

5 Digital Control System

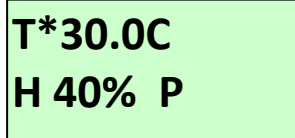


The TLC Advance Series II control system utilises highly accurate, individually calibrated sensors for temperature and humidity. Be cautious of low-cost analogue or digital thermometers and hygrometers when comparing them with the brooder/ICU display readings.

- 5.1 NORMAL OPERATION – Temperature and relative humidity are continuously displayed.

The asterisk "*" adjacent to the temperature reading shows when the heater power is on. When warming the asterisk will be continuously on, once warmed up the asterisk will slowly flash as the heater is pulsed to maintain the correct temperature.

- 5.2 POWER LOSS DISPLAY – If power has been interrupted due to a power cut (or when first switching on) a "P" is shown flashing in the corner of the display. Press the - or + button for 2 or more seconds to clear the indicator. If the reason for the power loss is not known check the power cable connections are secure.



- 5.3 HIGH INCUBATION TEMPERATURE ALARM DISPLAY – If the measured temperature goes up by more than the figure in the ALARM HI screen, the alarm will sound immediately and “H” will be displayed. Press OK to silence the alarm for 30 minutes.

If the high temperature problem rectifies itself the “H” remains on the display to show this has happened. Press OK to clear the indicator. Check the brooder/ICU is not (and has not been) in direct sunlight or too near a heat source such as a room heater.

T 39.8C
H 23% H

- 5.4 LOW INCUBATION TEMPERATURE ALARM DISPLAY – If the measured temperature goes down by more than the figure in the ALARM LO screen, after 1 hour “L” will be displayed and the alarm will sound. Press OK to silence the alarm for 30 minutes.

If the low temperature problem rectifies itself the “L” remains on the display to show this has happened. Press OK to clear the indicator. Check the brooder/ICU is not (and has not been) in a cold draught or that the room temperature has dropped significantly.

T*32.1C
H 45% L

- 5.5 HIGH ROOM TEMPERATURE ALARM DISPLAY – If the calculated room temperature remains too high for stable temperature control for more than 1 hour a warning is displayed “+RM” and an alarm will sound. Press OK to silence the alarm for 30 minutes.

If the high temperature problem rectifies itself the “+RM” remains on the display to show this has happened. Press OK to clear the indicator.

Check the brooder/ICU is not (and has not been) in direct sunlight or too near a heat source such as a room heater. The animals themselves create significant metabolic heating and may contribute to this if room temperature is high.

T 36.0C
+RM

- 5.6 LOW ROOM TEMPERATURE ALARM DISPLAY – If the calculated room temperature remains too low for stable temperature control for more than 1 hour a warning is displayed “-RM” and an alarm will sound. Press OK to silence the alarm for 30 minutes.

If the low temperature problem rectifies itself the “-RM” remains on the display to show this has happened. Press OK to clear the indicator.

Check the brooder/ICU is not (and has not been) in a cold draught and that the room temperature has not dropped significantly.

T*36.0C
-RM

- 5.7 CHANGING SETTINGS – The Main Menu allows the various settings to be modified and saved. All changes are retained in the event of a power cut.

To access the Main Menu, press the + and – buttons simultaneously to unlock the display. For full details of menu settings please refer to the guide on page 3.

6 Temperature

Stable and correct temperature is essential for good results. Adjust with care.

WARNING:- THE CIRCULATING FAN AND THE METABOLIC HEAT FROM PATIENTS CONTRIBUTE HEAT TO THE BROODER/ICU. THE BROODER/ICU MAY NOT CONTROL PROPERLY IF THE ROOM TEMPERATURE IS LESS THAN 3°C (10°F) LOWER THAN THE TEMPERATURE REQUIRED INSIDE.

AVOID LEAVING THE DOOR OPEN AS THIS WILL CREATE SIGNIFICANT DISTURBANCE OF THE TEMPERATURE IN THE BROODER/ICU AND TAKE TIME TO STABILISE.

- 6.1 Note: your brooder/ICU may not be set to the correct temperature from the factory and the following procedure must be followed before introducing animals.
- 6.2 Press the - and + buttons simultaneously to unlock the main menu. Press OK to select the temperature screen and adjust as necessary using the + and – buttons. Press OK to return to the Main Menu and then scroll down to Save. Press OK to save the changes.
- 6.3 As the brooder/ICU warms up and approaches its control setting the heater on asterisk “*” will change from continuously on to flashing. When reducing temperature, the asterisk may still flash as the brooder/ICU gently cools – this is normal.
- 6.4 Refer to the digital temperature display to check temperature. The display shows the air temperature in increments of 0.1°.
- 6.5 The Display can be switched to show all temperature settings in degrees Fahrenheit. Press the - and + buttons simultaneously to unlock the main menu. Scroll to the C/F option and press OK to select the C/F display screen. Press the + button to select °F or the – button to select °C. Press OK to return to the Main Menu and then scroll down to Save. Press OK to save the changes.
- 6.6 TEMPERATURE GUIDELINES FOR BROODING HATCHLING CHICKS. As a general rule a newly hatched chick will need a brooder/ICU temperature a little lower than incubation temperature, about 35-36°C (95-97°F) and the temperature can be reduced progressively at about 0.5°C (1°F) per day until it is fully feathered or no longer requires supplementary heat. In warm ambient conditions this will be sooner than in cold climates. When brooding temperatures are just above room temperature the asterisk heater indicator may go out (indicating that no heat is being applied). This indicates that the birds are ready to be moved to a nursery cage. If room temperature then drops (e.g. at night) then the birds can be kept warm by replacing them into the TLC brooder/ICU.
- 6.7 Where there is to be a continuous throughput of birds of differing stages of development, several TLC brooder/ICUs can be set to different temperatures and the birds moved to cooler units as they grow.
- 6.8 The Recommended staged temperature settings for most parrots and falcons:

Days 1 to 5	Days 6 to 10	Days 11 to 15	Days 16 to 25
36°C (97°F)	33°C (91°F)	29.5°C (85°F)	27°C (80°F)

These temperatures have been found to promote optimal health and growth from newly hatched chicks and are a little higher than may be found in nests. Where birds are taken from a nest after more than a few days, the temperature setting will usually need to be a few degrees lower to prevent heat stress. The

recommendations above are for guidance only, always observe the chick's behaviour (see below) to verify setting.

Temperatures too high can cause heat stress, dehydration, deformities or haemorrhaging under the skin. Low temperature may reduce appetite and retard growth. Observation of the bird is the best guide to its comfort. Chicks try to huddle together if cold and move about seeking parental warmth. Chicks too warm separate and pant. In either case they will complain vocally. Comfortable birds will lie quietly sleeping with wings loosely folded at the sides, usually in contact with one another.

- 6.9 Developing chicks are fairly tolerant of short-term temperature drops but care should be taken about cooling that occurs during feeding or inspection. Keep the room warm, hold the bird in a cloth to prevent chilling from cold hands and use warmed feeding utensils.

7 Humidity and Ventilation

*Elevated air temperatures in the TLC brooder/ICU will reduce the relative humidity level (RH) and can cause dehydration. A water reservoir is fitted to counteract this effect. **Relative humidity of between 45 and 55% RH is adequate for brooding. Avoid very high levels as condensation may form on cooler surfaces.** The maximum achievable humidity is subject to room conditions with a typical limit of approximately 65 to 70%RH.*

- 7.1 Your TLC brooder/ICU is fitted with a water reservoir (see fig.1) which humidifies air as it is drawn into the heater enclosure. Use a solution of Brinsea Incubation Disinfectant (1part concentrate to 100 parts water) in the water reservoir (pan) to inhibit bacterial build-up. It is recommended that the reservoir is topped up with solution daily to reduce dehydration. This can be a particular problem with chick(s).
- 7.2 The brooder/ICU and its occupants need not be disturbed to fill the water pan. Use the funnel provided to pour water through the water fill point in the top of the brooder/ICU (see fig. 1) directly onto the evaporating block and into the water pan. Push the funnel down gently into the hole to make sure the water pours directly in. Clean up any spilled water from the top of the brooder/ICU immediately.
- 7.3 To further increase humidity levels within the brooder/ICU the water reservoir is fitted with an evaporating block of absorbent paper mesh as standard. This block may be cut in half or removed entirely to give lower humidity levels if condensation forms. The block can provide a breeding ground for bacteria. In addition to the use of Brinsea Incubation Disinfectant concentrate in the water, it is recommended that the block is replaced every 2 months of use.
- 7.4 An adjustable vent is fitted to the door of the brooder/ICU which may be opened or closed to give greater control of humidity (close vent to increase) and fresh air flow. The vent may be fully closed as fixed ventilation is also provided.
- 7.5 In order to maintain maximum air-flow the air-flow filters should be checked once a week for dust or down, and cleaned if necessary.

8 Fan Speed Control

The speed of the air circulation fan in TLC Advance Series II brooder/ICUs may be adjusted between four levels. Higher fan speed provides the most accurate control of air temperature around the base of the brooder/ICU. Lower fan speed provides more gentle air flow around animals and lower noise level. The operator may choose the speed according to their priorities.

- 8.1 Press the - and + buttons simultaneously to unlock the main menu. Press + once to display the fan speed option and then OK to select. Adjust as necessary using the + and – buttons. Press OK to return to the Main Menu and then scroll down to Save. Press OK to save the changes.
- 8.2 The highest fan speed provides the most accurate correlation between the display temperature and the average temperature of the air low down in the animal chamber.
- 8.3 The lowest fan speed provides the lowest noise and air speed but the air temperature low down in the animal chamber may be slightly cooler than that on the display, particularly in a cold room.

9 Introducing Young Birds

Once the correct temperature has been established and the air humidified the TLC brooder/ICU is ready for use.

- 9.1 For newly hatched chicks use small plastic tubs such as ice-cream or butter / spread containers lined with paper towel. Young birds of similar age and size can be placed together and benefit from the warmth and comfort. If disparity in size is too great the smaller animal is at risk of being crushed or smothered.
- 9.2 For larger chicks and adult birds line the base of the TLC brooder/ICU with paper towelling and place the bird(s) directly on this. The brooder/ICU cabinet material is smooth and designed to be easy to clean.
- 9.3 Change paper towel at each feed or at least four times a day.
- 9.4 Follow feeding regimes recommended for your species ensuring the highest standards of hygiene at all times.

10 Small Animal Care

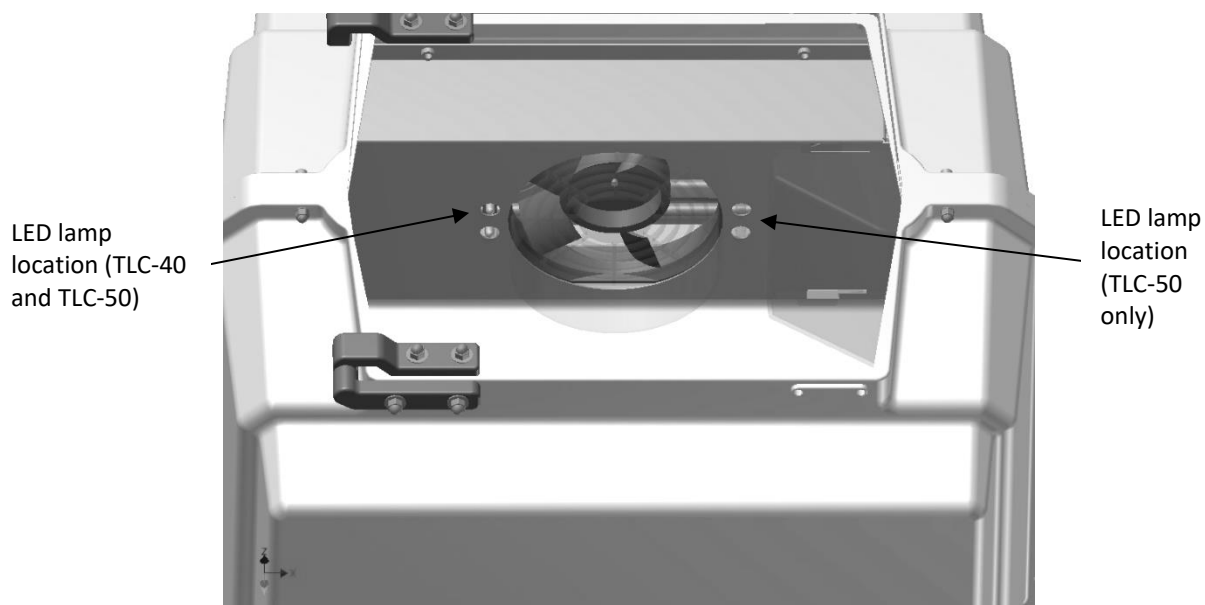
- 10.1 Your TLC has been specifically designed for the care of injured or sick small animals. Animals should always be cared for following the instructions and advice given by your veterinary surgeon.
- 10.2 The first stage of treating a cold animal (hypothermia) is to prevent further heat loss, by wrapping the casualty in insulating materials such as blankets, bubble wrap or silver foil. It is recommended to pre-heat the TLC and allow the temperature to stabilise before adding young birds or small animals. If you are aware of an incoming animal patient, the TLC may be switched on so that it is ready for immediate use when the patient arrives.
- 10.3 Once the TLC is warmed to the correct temperature the animal can be transferred. The amount of bedding should be reduced at this stage to allow warming from the environment in the TLC. All animals will benefit from some bedding in the bottom of the cabinet such as an absorbent pad to help reduce soiling. Small animals such as fox or badger cubs can benefit from having a soft toy for company while single ducklings or pheasant chicks can be provided with a safe mirror. Wild animals may become very distressed when handled by humans. Place the TLC where there is minimal disturbance.
- 10.4 All small mammals and birds will benefit from being kept in an environmental temperature within their 'thermoneutral range'. This is the range of temperatures in which an animal expends no energy to maintain its body temperature. The thermoneutral temperatures for typical adult mammals and birds are given in table 1. For birds, the thermoneutral range depends upon size, with smaller birds requiring higher temperatures. Reptiles and amphibians should be kept within an 'activity temperature range' (ATR) in which it can control its body temperature. ATR values for typical reptiles and amphibians are also given in table 1.

Species:	Temperature range:
Mammals	15 – 20°C (59 – 68°F)
Medium and Large Birds	15 – 25°C (59 – 77°F)
Small Birds	20 – 30°C (68 – 86°F)
Very Small Birds	25 – 35°C (77 – 95°F)
Reptiles	20 – 30°C (68 – 86°F)
Amphibians	15 – 30°C (59 – 86°F)

- 10.5 Hypothermic adult animals should be warmed in the TLC set to their thermoneutral range. The temperature of both the TLC and the animal should be recorded at regular intervals. Careful monitoring and observation of the animal should be undertaken to ensure that it is not showing signs of distress. i.e. panting or shivering. These animals are also likely to be dehydrated and/or 'shocked' (hypovolaemic) so warming alone will not correct these things and may make them worse. All adult animals must therefore be provided with adequate fluid therapy at the same time as warming and veterinary care (in person, over the telephone or in written SOPs). Injured animals also require pain relief (analgesia) which can be prescribed by a veterinary surgeon.
- 10.6 If the animal will drink, then an oral rehydration fluid can be provided in a shallow bowl. If the animal will not, or cannot drink, then fluid must be given in other ways. In birds, rehydration fluids can most easily be provided by crop tubing, provided the bird can lift its head and swallow. In mammals, intravenous or intraosseous fluids are usually required to rehydrate patients. These must only be administered by a veterinary surgeon or veterinary nurse.
- 10.7 Only feed a poorly animal once it is warm and always start with liquids only. Do not place moist, solid food in the intensive care unit as it will rapidly go bad due to the warm environment.
- 10.8 Dependent animals (those that would naturally be in a nest) should be kept in the TLC set at 28-32°C (82.5-89.5°F) until they are of an age where they can maintain their own body temperature when the heat can be reduced to the thermoneutral range for that species. Carefully observe their behaviour for signs of panting or shivering to help determine the best temperature for them at that stage. Very small baby animals may require an artificial fabric 'nest' to be created in the TLC, lined with paper towel.
- 10.9 Like adult animals, baby animals are frequently dehydrated upon arrival and should be fed with an oral electrolyte solution. They also frequently have a low blood glucose level (hypoglycaemia) and should be fed appropriately soon after the initial electrolyte feed. If the animal is unable to lift its head, and/or swallow, then it will need to be given fluids and glucose by injection – this should be under veterinary direction.

11 Internal Lighting

- 11.1 The TLC Advance Series II brooder/ICUs are equipped with gentle, internal LED lighting for night-time inspection of animals and birds. The LED lamps are energy efficient, do not affect temperature and would not normally require replacement. Amber colour LED's do not produce UV light often associated with "white" LED's.
- 11.2 The LED lights are located to the left of the fan diffuser in the TLC-40 size model and on both sides of the fan diffuser on the larger TLC-50 model.
- 11.3 The lights may be switched on and off by pressing the OK button. This has a toggle action.



12 Cleaning Up

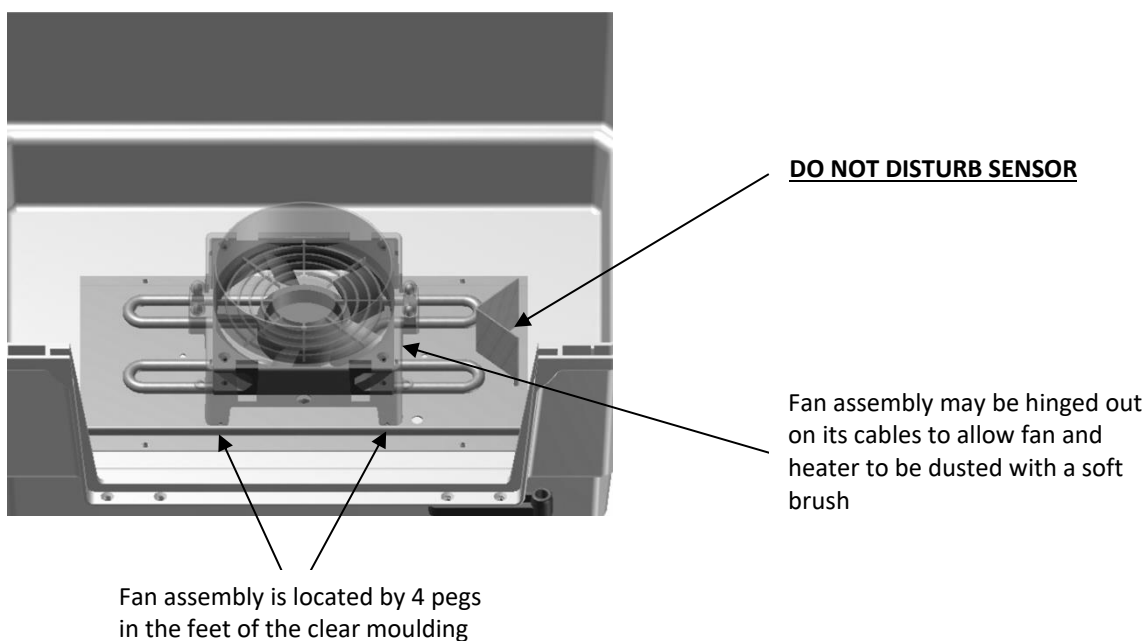
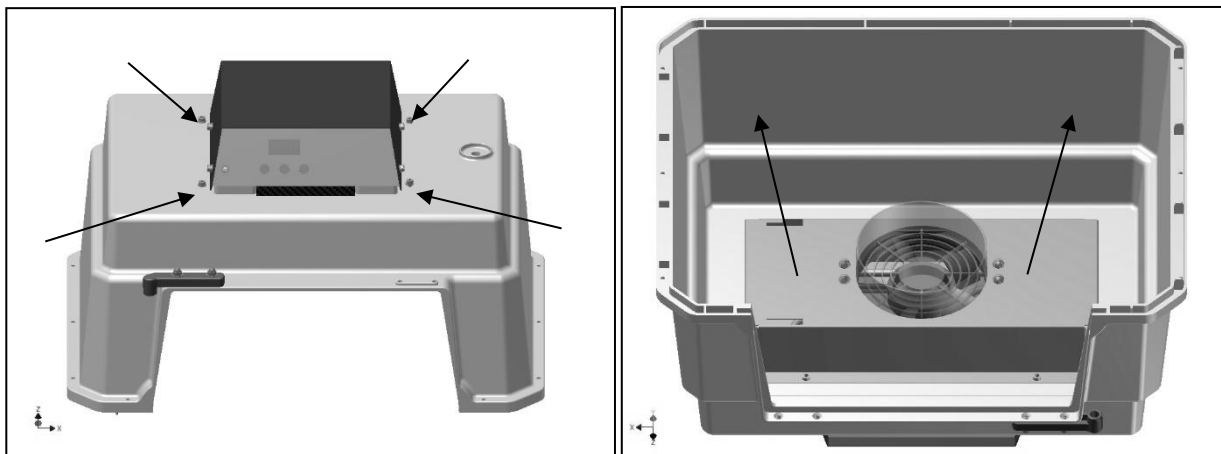
IMPORTANT:

DISCONNECT THE BROODER/ICU FROM THE MAINS POWER SUPPLY DURING CLEANING. RISK OF ELECTRIC SHOCK! ENSURE THAT ALL ELECTRICAL PARTS ARE KEPT DRY.

- 12.1 Following each brood in your TLC brooder/ICU remove all debris from the floor. Wipe all internal surfaces with a soft cloth soaked in 100:1 Brinsea Incubation Disinfectant solution. Filters should be inspected on a weekly basis and be cleaned if necessary. Remove all three filters and gently hand wash in warm water then allow them to dry before use. Filters need replacing every six months. Immerse and soak any nest tubs in disinfectant solution. The exterior of the TLC brooder/ICU may be cleaned with a damp cloth.
- 12.2 Avoid alcohol-based solutions and make sure that all disinfectant is thoroughly rinsed off plastic parts with clean water. Disinfectant solutions may cause severe cracking of plastic if not correctly rinsed off.
- 12.3 Always clean the TLC brooder/ICU before storage and ensure that the unit is totally dry inside and out or damage may occur to the components.
- 12.4 For deeper cleaning the base of the cabinet and the door may be removed by releasing the fasteners. See section 4 for assembly guide. The cabinet base and the door may be wet-cleaned with mild detergent and then disinfected with water-based disinfectant solution such as Brinsea Incubation Disinfectant.
- 12.5 Replacement filters, evaporating blocks and disinfectant solution are all available from Brinsea Products at the address at the end of this document or from your Brinsea agent.

13 Servicing and Calibration

- 13.1 Although it is not regarded as necessary for routine cleaning, the heater enclosure may be safely removed to allow the heater and fan to be dusted. Disconnect the power lead. Remove the water pan. Loosen the 4 cap-head screws (on top of the white plastic cabinet, not the grey control box) as shown and then finally remove each one while supporting the metal enclosure inside. The metal enclosure will fall if not held and may damage the brooder/ICU.
- 13.2 Carefully place the brooder/ICU on its top and then lift out the metal heater enclosure. The fan assembly may then be hinged over toward the front of the machine so that the heating element and fan blades may be dusted with a soft brush. **USE NO LIQUIDS. DO NOT DISTURB THE TEMPERATURE SENSOR.**



- 13.3 Once the heater area has been dusted the fan assembly must be relocated by ensuring the 4 pegs on the clear moulding fit into the corresponding holes in the metal base plate.
- 13.4 ENSURE THE FAN / LED WIRES ARE NOT TOUCHING THE HEATING ELEMENT
- 13.5 Replace the metal cover so that the water pan slots are at the correct end. Hold the cover in place and fit the 4 cap-head screws. Do not over-tighten.

- 13.6 In case of failure first check that the mains power supply is working and that the mains cable connector is fully engaged in the socket at the rear of the control housing. Check the fuse in the mains inlet on the rear of the control housing. Replace with a fuse of the same type and rating if necessary.
- 13.7 If the problem persists contact your distributor or Brinsea Products Service Dept.
- 13.8 The digital temperature display is individually calibrated during manufacture but may be re-calibrated if required. In the unlikely event that that the accuracy of the temperature display is in doubt please ensure the air filters are cleaned and the heater enclosure is free of debris following the instructions above. Contact your distributor or Brinsea directly at sales@brinsea.co.uk for further information and advice.

BE CAUTIOUS OF LOW COST ANALOGUE OR DIGITAL THERMOMETERS AND HYGROMETERS.

BRINSEA PRODUCTS LTD USES SOPHISTICATED EQUIPMENT TRACEABLE TO INTERNATIONAL REFERENCE STANDARDS.

14 Specification

	TLC-40 Advance Series II	TLC-50 Advance Series II
Overall height	470mm (18.5")	550mm (21.5")
Overall width	485mm (19")	690mm (27")
Overall depth	385mm (15")	490mm (19.5")
Floor area	400x300mm (15.5 x 12")	600x400mm (23.5x15.5")
Effective volume	40L (10USgal)	100L (26USgal)
Weight	6.7Kg (15lbs)	8.7Kg (19lbs)
Power consumption	85W typical, 150W max	100W typical, 150W max
Power supply	230V 50Hz or 115V 60Hz as ordered	



Used electrical and electronic products should not be mixed with general household waste. For proper treatment, recovery and recycling, please take this product to a designated collection point where it will be accepted free of charge.

Please contact your local authority for further details of your nearest designated collection point.

Disposing of this product correctly will help save valuable resources and prevent any potential negative effects on human health and the environment, which could otherwise arise from inappropriate waste handling.

Brinsea Products Ltd, 32-33 Buckingham Road, Weston Industrial Estate,
Weston-super-Mare, N. Somerset, BS24 9BG
Tel: +44 (0) 345 226 0120
e-mail: sales@brinsea.co.uk, website: www.Brinsea.co.uk

Declaration of Conformity

We: BRINSEA PRODUCTS LTD. 32-33 Buckingham Road, Weston Industrial Estate, Weston-super-Mare, North Somerset, BS24 9BG

Declare under our sole responsibility the products:

Animal Incubators / Brooders:

TLC-40 Eco Series II (Serial numbers HD4001x/xxxxxxxx, HD4001/xxxxxxxx)
 TLC-50 Eco Series II (Serial numbers HD4101x/xxxxxxxx, HD4101/xxxxxxxx)
 TLC-40 Advance Series II (Serial numbers HD4011x/xxxxxxxx, HD4011/xxxxxxxx)
 TLC-50 Advance Series II (Serial numbers HD4111x/xxxxxxxx, HD4111/xxxxxxxx)
 TLC-40 Zoologica Series II (Serial numbers HD4021x/xxxxxxxx)
 TLC-50 Zoologica Series II (Serial numbers HD4121x/xxxxxxxx)
 Vetario S40 Eco Series II (Serial numbers HD4501x/xxxxxxxx, HD4001,xxxxxxxx)
 Vetario S50 Eco Series II (Serial numbers HD4601x/xxxxxxxx, HD4101,xxxxxxxx)
 Vetario S40 Advance Series II (Serial numbers HD4511x/xxxxxxxx, HD4011,xxxxxxxx)
 Vetario S50 Advance Series II (Serial numbers HD4611x/xxxxxxxx, HD4111,xxxxxxxx)

to which this declaration relates are in conformity with the following UK regulations:

Supply of Machinery (Safety) Regulations 2008**Electromagnetic Compatibility Regulations 2016****The Restriction of the Use of Certain Hazardous Substances in Electrical and Electronic Equipment Regulations 2012**

The relevant sections of the following Standards have been used:

BS EN 60335-1:2012+A15:2021 BS EN 60335-2-71:2003+A1:2007 BS EN 55014-1:2017+A11:2020
BS EN 55014-2:1997+A2:2008 BS EN 50581:2012

The technical documentation for the products is available from the above address.

Authorised Representative: Ian Pearce, Managing Director

Signature:

Date of Issue: 10/2023

Place of Issue: 32-33 Buckingham Road, Weston Industrial Estate, Weston-super-Mare, North Somerset, BS24 9BG, United Kingdom.